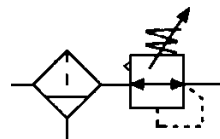


AFR,BFR Air Source Treatment Unit

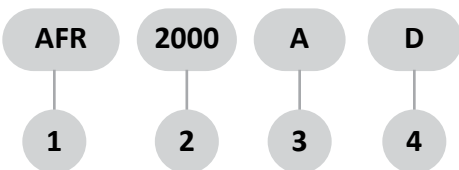
Filter Regulator

Specification:

Type	AFR2000A	BFR2000A	BFR3000A	BFR4000A
Port size G	1/4"	1/4"	3/8"	1/2"
Gauge thread G	1/8"			
Fluid	Compressed Air			
Filter precision	5µm or 40 µm			
Operating pressure range MPa	0.15~0.85			
Max.Flow rate L/min	700			1400
Ambient temperature°C	-10~60			
Optional	-	●	●	●



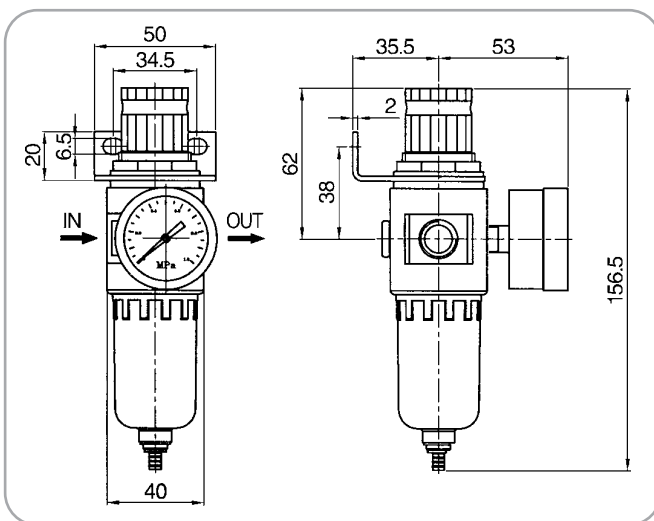
How to order:



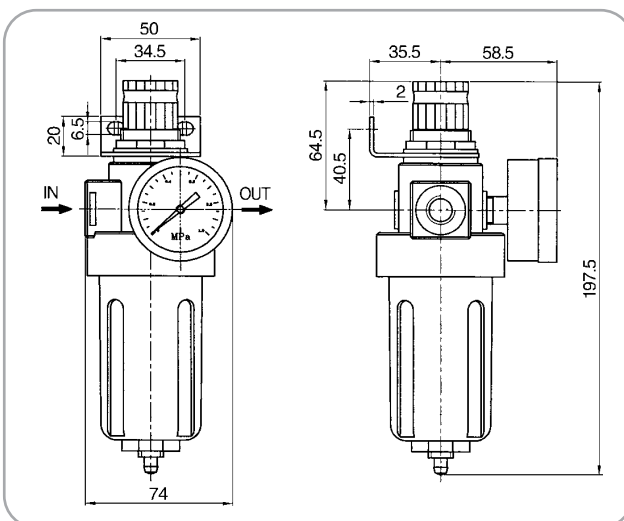
- 1 AFR,BFR Filter Regulator
- 2 2000:G1/4" , 3000:G3/8" ,4000:G1/2"
- 3 A: Improved type ; Blank: Old type
- 4 □: Differential pressure drain , D: Auto-drain;

Dimension (mm)

AFR Series



BFR Series

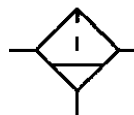


AF,BF Air Source Treatment Unit

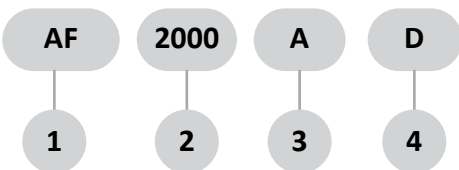
Filter Regulator

Specification:

Type	AF2000A	BF2000A	BF3000A	BF4000A
Port size G	1/4"	1/4"	3/8"	1/2"
Fluid	Compressed Air			
Filter precision	5µm or 40 µm			
Operating pressure range MPa	0.15~0.85			
Max.Flow rate L/min	700		1400	
Ambient temperature °C	-10~60			
Optional	-	●	●	●



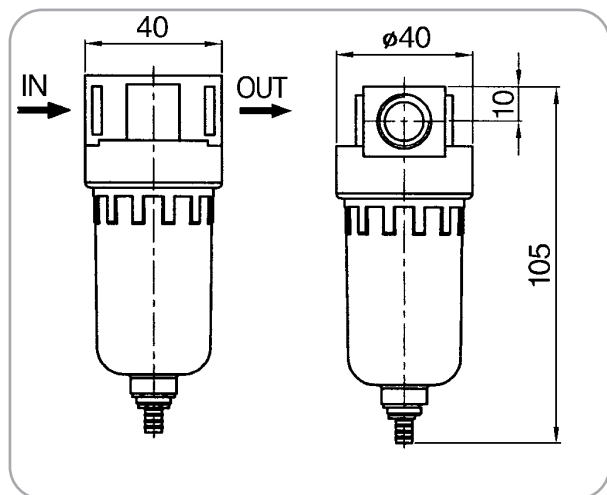
How to order:



- 1 AF,BF Filter
- 2 2000:G1/4" , 3000:G3/8" ,4000:G1/2"
- 3 A: Improved type ; Blank: Old type
- 4 : Differential pressure drain , D: Auto-drain;

Dimension (mm)

AF Series



BF Series

