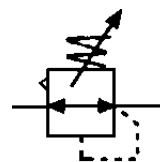


**AR, BR Air Source Treatment Unit**

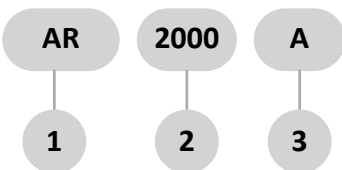
**Filter Regulator**

**Specification:**

Type	AR2000A	BR2000A	BR3000A	BR4000A
Port size G	1/4"	1/4"	3/8"	1/2"
Gauge thread G	1/8"			
Fluid	Compressed Air			
Operating pressure range MPa	0.1~0.85			
Max.Flow rate L/min	700			1400
Ambient temperature °C	-10~60			



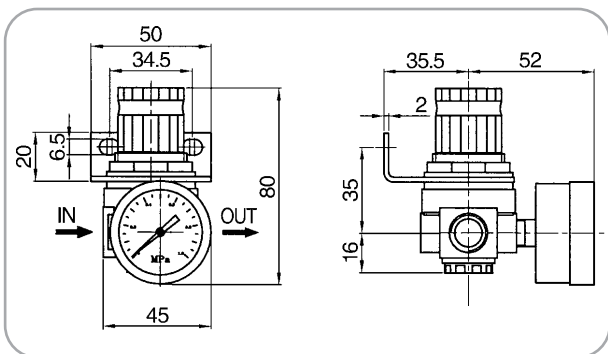
**How to order:**



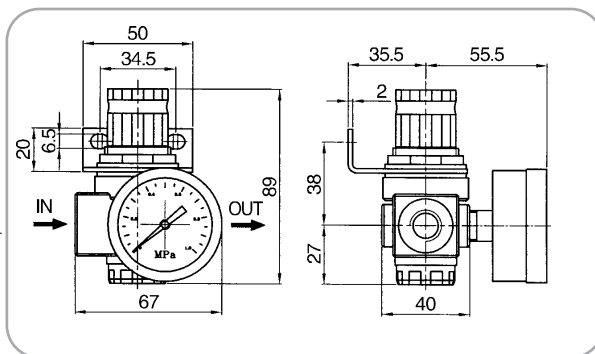
- 1 AR/BR:Regulator
- 2 2000:G1/4" , 3000:G3/8" ,4000:G1/2"
- 3 A: Improved type ; Blank: Old type

**Dimension (mm)**

**AR Series**



**BR Series**

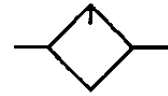


**AL,BL Air Source Treatment Unit**

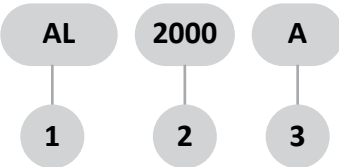
**Filter Regulator**

**Specification:**

Type	AR2000A	BR2000A	BR3000A	BR4000A
Port size G	1/4"	1/4"	3/8"	1/2"
Gauge thread G	1/8"			
Fluid	Compressed Air			
Operating pressure range MPa	0.1~0.85			
Max.Flow rate L/min	700			1400
Ambient temperature °C	-10~60			
Oil recommended	ISO VG32			
Optional	-	●	●	●



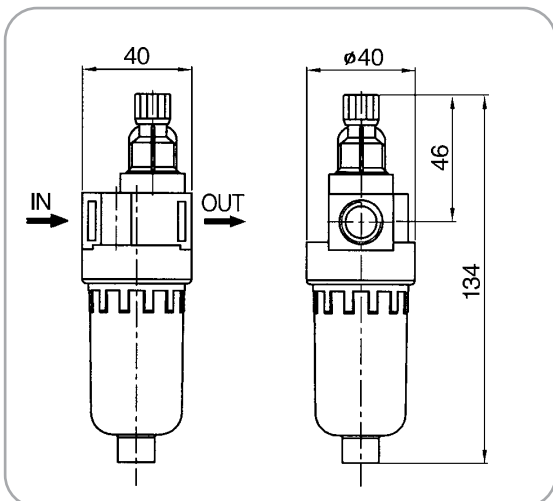
**How to order:**



- 1 AL/BL:Lubricator
- 2 2000:G1/4" , 3000:G3/8" ,4000:G1/2"
- 3 A: Improved type ; Blank: Old type

**Dimension (mm)**

**AL Series**



**BL Series**

