

Yük Boşaltma Valfleri / Unloading Relief Valve



Technical specification

Specification	03	06	10	
Max. working pressure (MPa)	31.5			
Max. Flow (L/min)	10%	40	80	120
	7%	60	120	240
Working fluid	Mineral oil; phosphate-ester			
Fluid temp. (°C)	-20~70			
Viscosity (mm ² /s)	12~380			
Working press (MPa)	5	10	20	31.5
Weight (kg)	YX Model	2.6	6.6	12.3
	YXW Model	3.8	7.8	13.5
Cleanliness	The maximum allowable cleanliness of the oil should be according to 9th degree of Standard NAS1638. It is suggested that the minimum filter rating should be $\beta 10 \geq 75$.			

YX/YXW valve is a pilot-operated unloading valve. Its function is to switch two states in hydraulic system, by adjusting handle to set the working pressure or unloading pressure. Pump will be unloading automatically by controlling electrical magnetic.

Model description

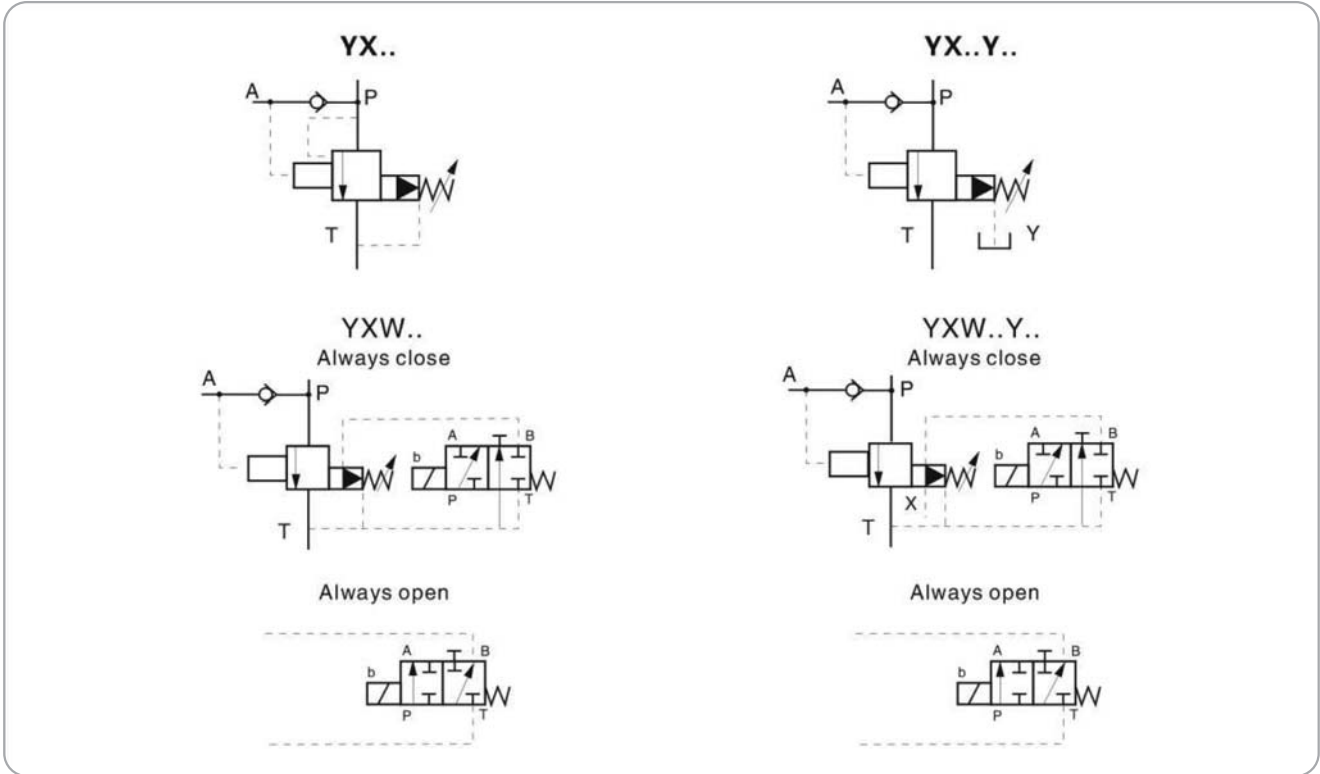
YX * * - * - * * - * * / * * * * / * / * * 50 *

Unloading Relief Valve	Remarks
Omint without solenoids directional valve W With solenoids directional valve	Serial number
Omit Pilot operated valve C Pilot operated without main cartridge (not marked diameter) Pilot operated with main cartridge (marked diameter)	Seal material Omit NBR Seals V FPM Seals
Specification 03 10NS 06 20NS 10 30NS	Pilot operated drainage port thread Omit G1/4" M M14X1.5
Working pressure 5 to5MPa 10 to10MPa 20 to20MPa 31.5 to 31.5MPa	Omit No damping ²⁾ 08 Φ 0.8 Damping 10 Φ 1.0 Damping 12 Φ 1.2 Damping
A Always closed ¹⁾ B Always open	Omit without push rod emergency ³⁾ N9 with concealed push rod emergency
1 Rotary knob 2 Sleeve with hexagon and protective cap	Z5L Square connector with light ⁴⁾
Omit Intl cntrl intl disch Y Intl cntrl extl disch	Working voltage ⁵⁾ D12 DC12V D24 DC24V A110 AC110V A220 AC220V B110 (A110V Rectified) B220 (A220V Rectified)
	Switching differential pressure (P→A) 10 on average 17 on average

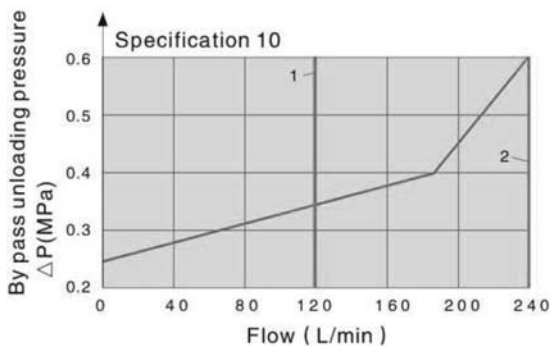
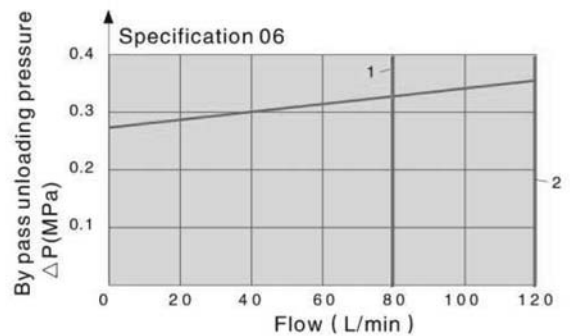
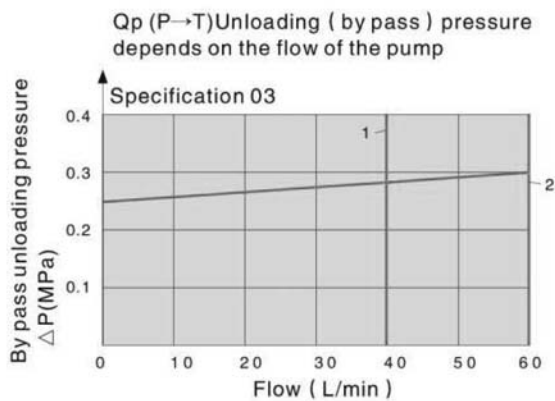
Explanation: 1. Item 1), 2), 3), 4), 5) is used in YXW solenoids relief valves
2. Item 2) damping is fixed at the B oil port of the solenoids directional valves

Yük Boşaltma Valfleri / Unloading Relief Valve

Code symbol



Performance curve (Measured at $v=41\text{mm}^2/\text{s}$ and $t=50^\circ\text{C}$)



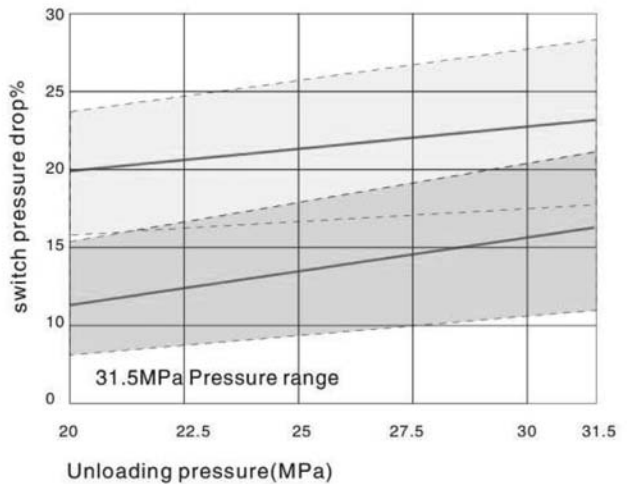
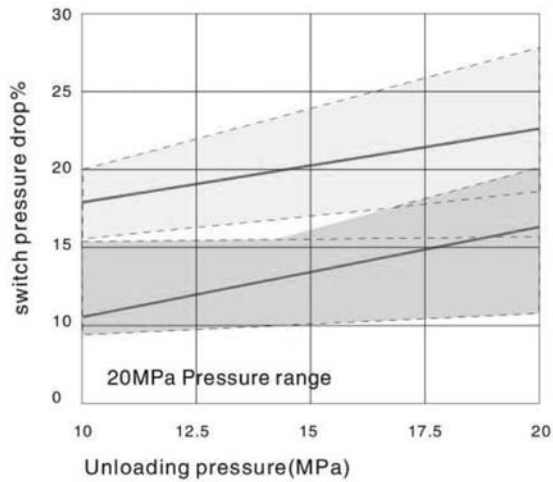
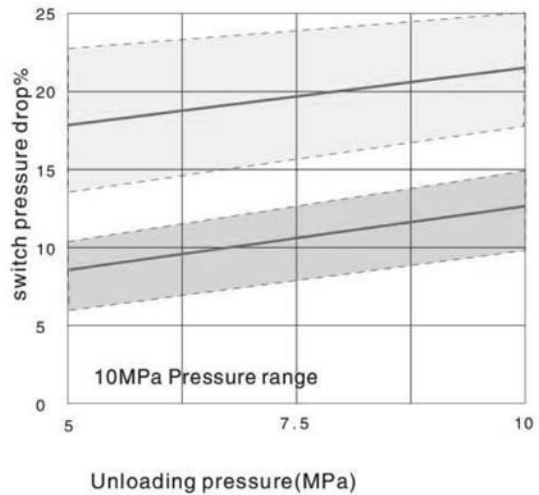
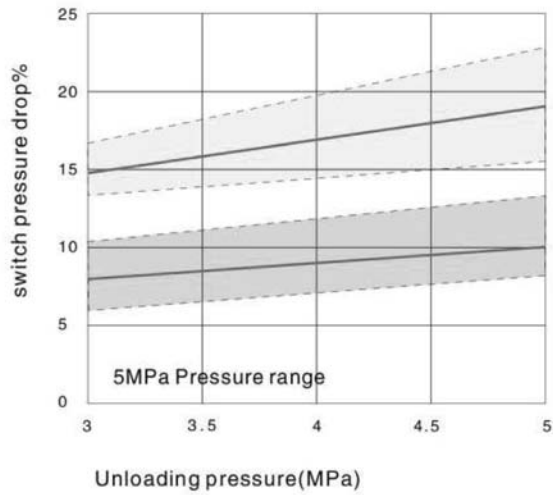
- 1. Q_{pmax} is used in type 10%
- 2. Q_{pmax} is used in type 17%

The characteristic curves are valid for outlet pressure $P_T=0$ for complete flow range.

Yük Boşaltma Valfleri / Unloading Relief Valve

Performance curve (Measured at $v=41\text{mm}^2/\text{s}$ and $t=50^\circ\text{C}$)

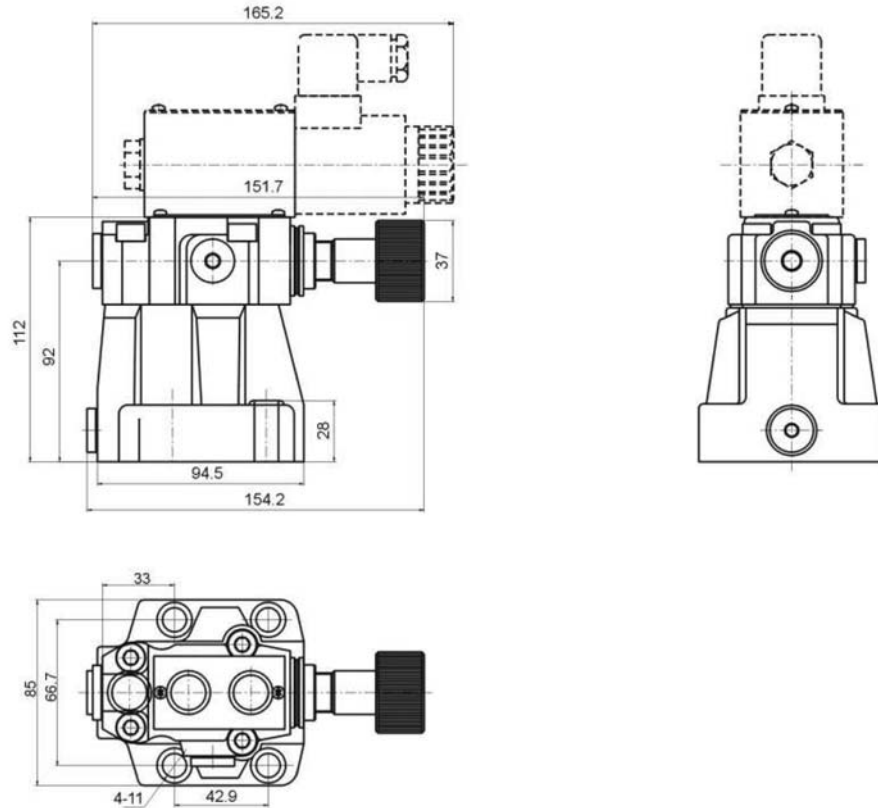
Switching differential pressure (P→A) depending on cut-off pressure P_o (Type DA)



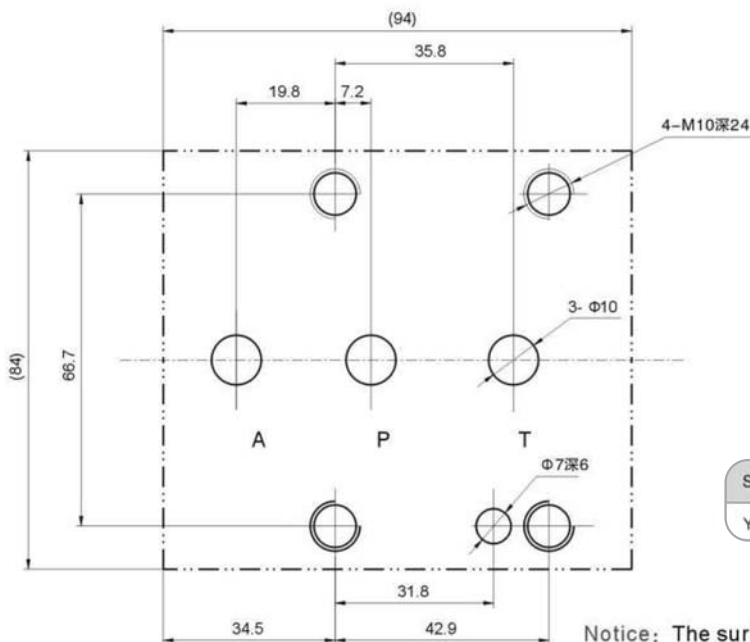
- Scatter range of type 17%
- Scatter range of type 10%

Yük Boşaltma Valfleri / Unloading Relief Valve

03 External dimensions



03 Subplate mounting size



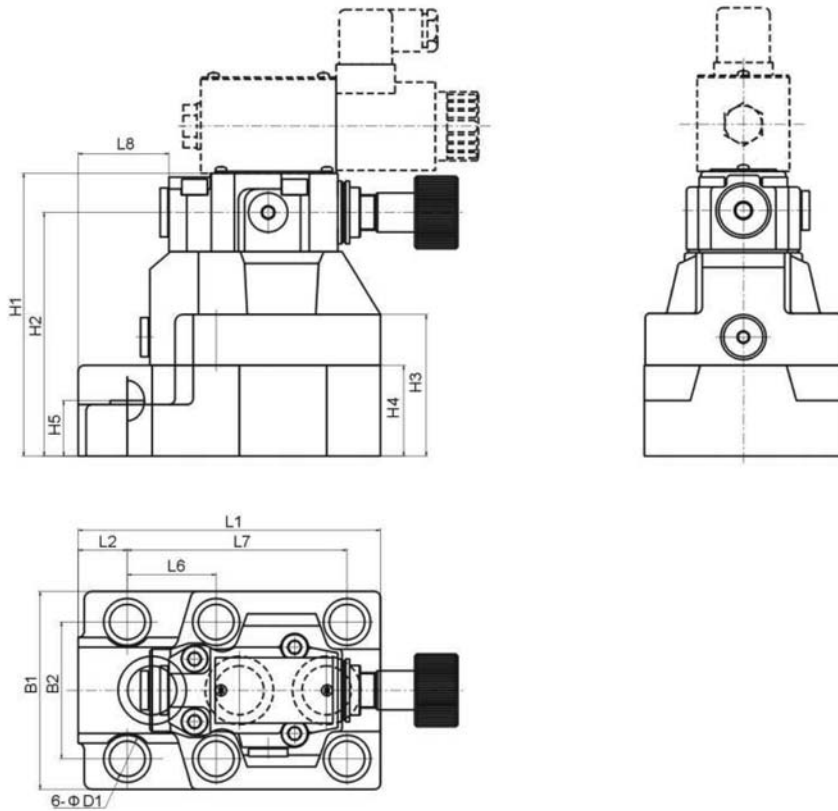
Specification	Mounting screw	Tighten torque
YX/YXW-03	4-M10x50-10.9	130Nm

Notice: The surface, connecting with the valve, should be Ra0.8 roughness, and 0.01/100mm flatness.

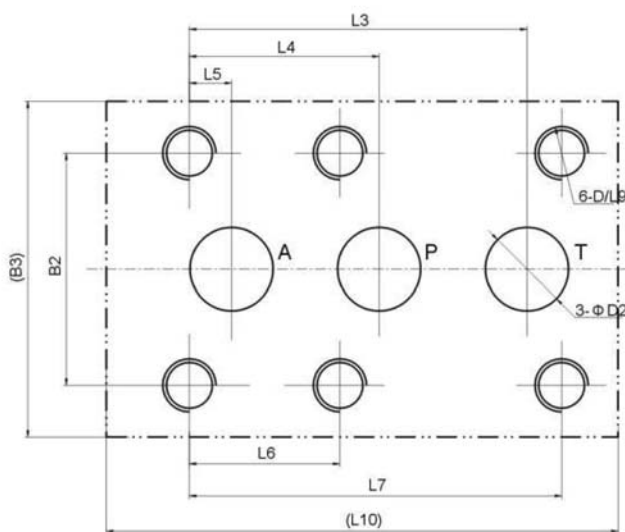
Yük Boşaltma Valfleri / Unloading Relief Valve

06、10 External dimensions

06、10



06、10 Subplate mounting size



	Mounting screw	Tighten torque
YX/YXW-06	4-M16x100-10.9 2-M16x60-10.9	310Nm
YX/YXW-10	4-M18x120-10.9 2-M18x80-10.9	430Nm

Notice: The surface, connecting with the valve, should be Ra0.8 roughness, and 0.01/100mm flatness.

Specification	L1	L2	L3	L4	L5	L6	L7	L8	L9	L10	B1	B2	B3	H1	H2	H3	H4	H5	D	D1	D2
YX/YXW-06	154	25	101.6	57.1	12.7	46	112.7	46.3	34	156	101	69.9	103	144	124	72	46	28	M16	18	25
YX/YXW-10	199	42	127	63.5	12.7	50.8	139.7	67.9	37	201	118.5	82.5	118.5	165	145	93	87	45	M18	20	32