

SDK Series Control Valve

Vibrator

Specification:

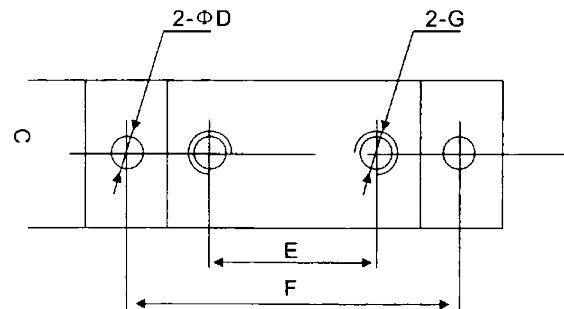
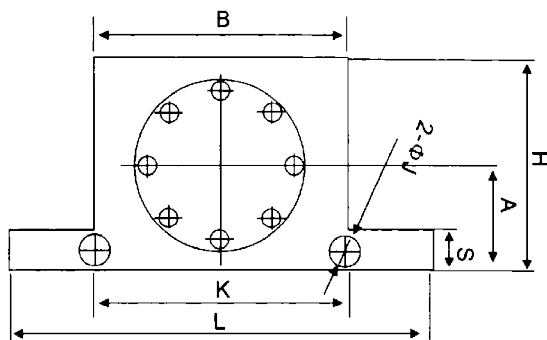
Type	SDK-08	SDK-10	SDK-16 SDGT-16	SDK-20 SDGT-20	SDK-25 SDGT-25	SDK-36 SDGT-36	- SDGT-40
Port size(G)	1/4"					3/8"	
Operating pressure(MPa)	0.15-0.8						
Temperature range °C	-5 ~ 60						

How to order:

SDK	20
Series	Port Size
SDK	08,10,16,20,25:G1/4"
SDGT	36,40:G3/8"



Dimension(mm):



Type	L	H	S	B	C	D	E	F	G	J	K
SDK - 08, SDK-10	86	50	12	51	21	6.5	27	68	G1/4	6.5	39
SDK - 16	113	60.5	17	66	28	9	40	90	G1/4	9	50
SDK - 20, SDK - 25	128	80	17	84	38	9	55	105	G1/4	9	61
SDK - 36	161	100	21	105	50	11	72	130	G3/8	11	80
SDGT - 16	113	65.5	17	66	42.5	9	40	90	G1/4	-	-
SDGT - 20, SDGT - 25	128	80	17	84	57	9	55	105	G1/4	-	-
SDGT - 36	161	100	21	105	73	11	72	130	G3/8	-	-
SDGT - 40	195	122	21	120	80	18	83	151	G3/8	-	-