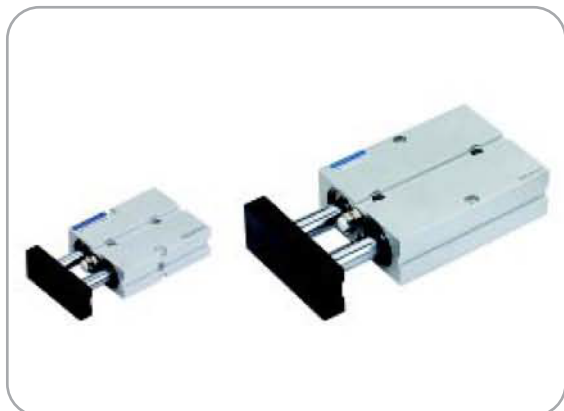


TN Series Cylinder



Character

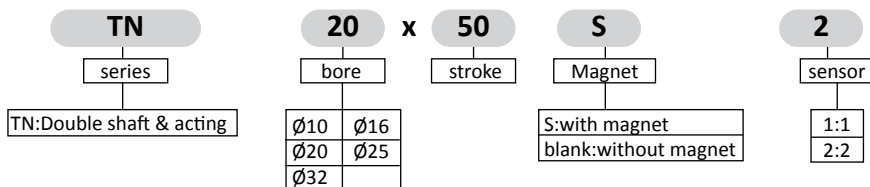
- Double piston rods make good anti-bend and torsion, warrant its life and preeminent guiding performance.
- Assemble the groove in advance, make it easier when assemble, set and adjust sensor switch.
- No need parts and save the space.
- Has simple design and easy maintenance and disassembly.



Specification

Mode	10	16	20	25	32
Motion	Double acting				
Fluid	air				
Pressure range Kg/cm ²	1~9				
Warrant endure-pressure Kg/cm ²	10.5				
Ambient temperature range (°C)	0~70				
Speed range mm/s	100~500				
Stroke adjustable mm	-10~0				
Cushion type	no	cushion sheet			
Port size	M5x0.8			G1/8"	

How to order



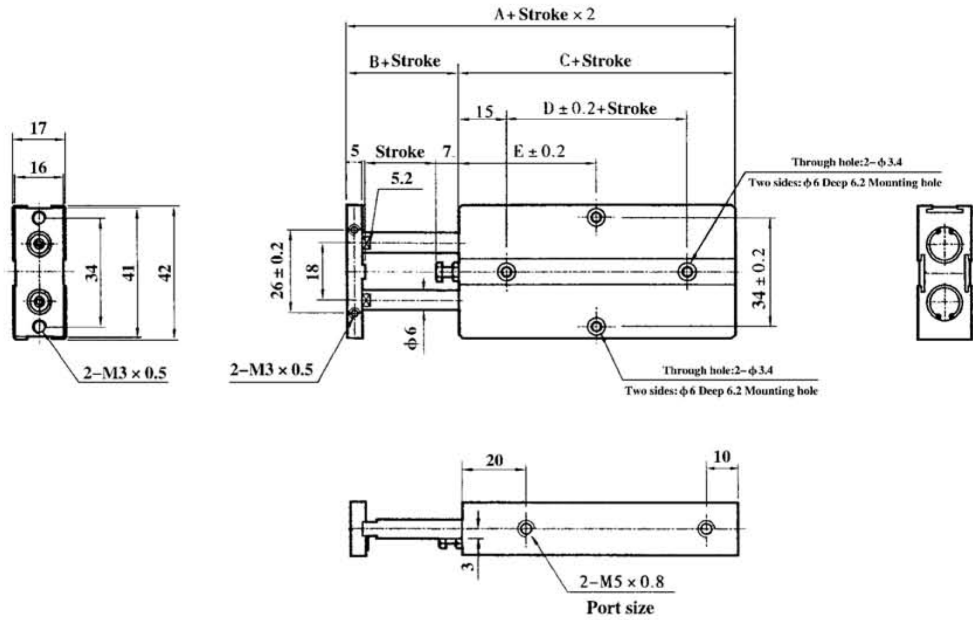
Stroke

Bore(mm)	standard stroke											max.stroke	stroke	
10	10	20	30	40	50	60	70						70	100
16	10	20	30	40	50	60	70	80	90	100	125	150	150	200
20	10	20	30	40	50	60	70	80	90	100	125	150	150	200
25	10	20	30	40	50	60	70	80	90	100	125	150	150	200
32	10	20	30	40	50	60	70	80	90	100	125	150	150	200

TN Series Cylinder

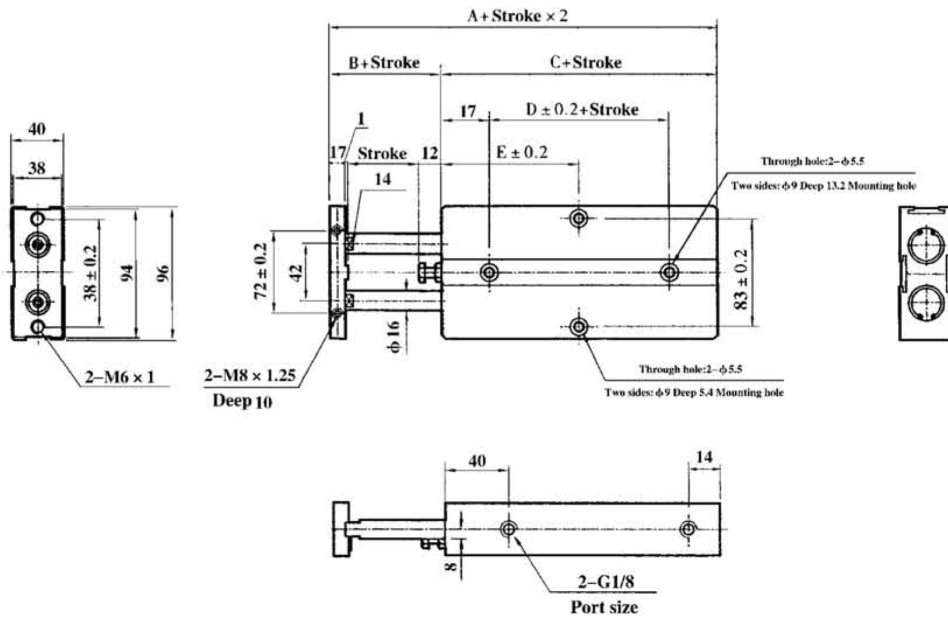
Dimension

■ $\phi 10$



symbol bore/symbol	A	B	C	D	E						
					10	20	30	40	50	60	70
10	58	12	46	10	30	30	35	40	45	50	55

■ $\phi 10$

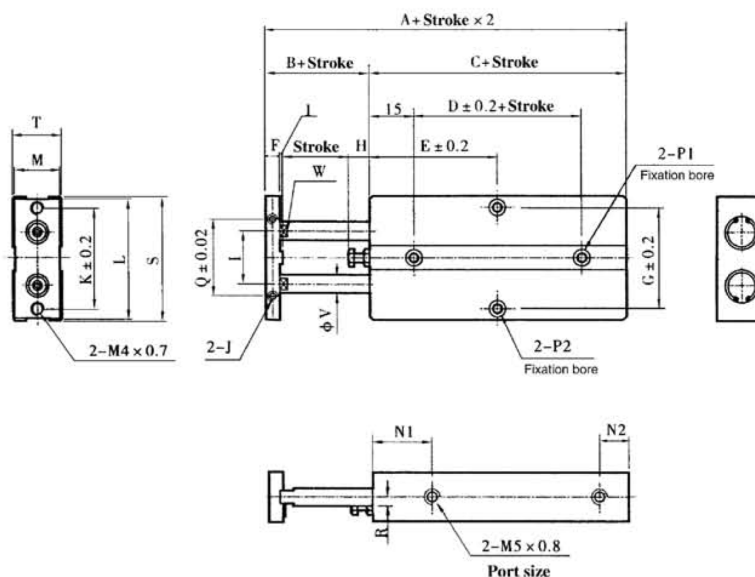


symbol bore/symbol	A	B	C	D	E											
					10	20	30	40	50	60	70	80	90	100	125	150
32	108	30	78	35	45	50	55	60	65	70	75	80	85	90	102.5	115

TN Series Cylinder

Dimension

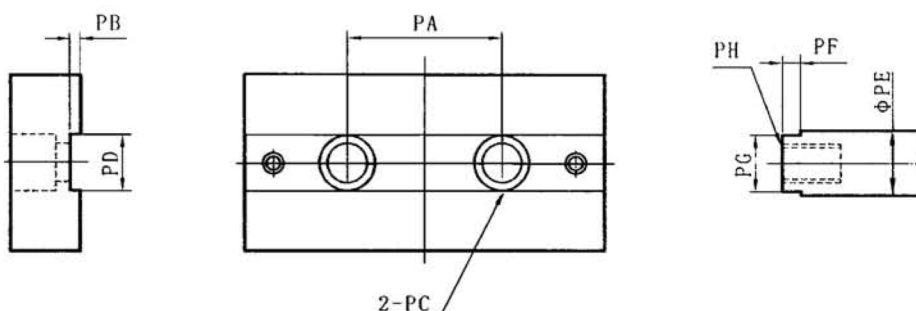
■ ϕ 10~ ϕ 25



symbol bore/symbol	A	B	C	D	E												F	G	H	I
					10	20	30	40	50	60	70	80	90	100	125	150				
16	68	15	53	20	30	35	40	45	50	55	60	65	70	75	87.5	100	8	47	6	24
20	78	20	58	20	35	35	40	45	50	55	60	65	70	75	87.5	100	10	55	9	28
25	81	19	62	30	40	40	45	50	55	60	65	70	75	80	92.5	105	10	66	8	34

symbol	J	K	L	M	N1	N2	P1		P1		Q	R	S	T	V	W
16	M4x0.7 depth 5	47	53	20	22	10	Double: ϕ 7.5 depth 7.2mm, Clearance: ϕ 4.5		Double: ϕ 8 depth 4.4mm Clearance: ϕ 4.5		34	4	54	21	8	6.2
20	M4x0.7 depth 5	55	61	24	25	12	Double: ϕ 8 depth 4.4mm, Clearance: ϕ 4.5		Double: ϕ 8 depth 4.4mm, Clearance: ϕ 4.5		44	6	62	25	10	8.2
25	M4x0.8 depth 5	66	72	29	30	12	Double: ϕ 7.5 depth 7.2mm, Clearance: ϕ 4.5		Double: ϕ 8 depth 4.4mm, Clearance: ϕ 4.5		56	7	73	30	12	10.2

Front board dimension



symbol/bore	PA	PB	PC	PD	PE	PF	PG	PH
10	18	0.5	ϕ 6.2 depth 3.5mm, Clearance: ϕ 4.5	5.2	6	3	5.2	M3x0.5 depth 5 mm
16	24	1	ϕ 7.8 depth 4.6mm, Clearance: ϕ 4.5	6.2	8	3	6.2	M4x0.7 depth 6 mm
20	28	1	ϕ 11 depth 6.8mm, Clearance: ϕ 4.5	8.2	10	3	8.2	M6x1 depth 8 mm
25	34	1	ϕ 11 depth 6.8mm, Clearance: ϕ 4.5	10.2	12	3	10.2	M6x1 depth 8 mm
32	42	2	ϕ 17 depth 12mm, Clearance: ϕ 4.5	14	16	3	14	M10x1.5 depth 14 mm